

Tower Trailblazers

Rfmt104

TOROSPLAY



Serial number	Rfmt104
Product line	Robinia Multiplay
Dimensions	502 * 330 cm
Height	≈ 375 cm
FFH	200 cm
In accordance with norm EN	EN1176:17
Age group	3 +
Key user group	3 – 8 years
Inclusive	No
Number of users	12
Platform height	100 cm / 125 cm

Warranty

- 10** **10-year guarantee** - Coverage includes structural failure of the robinia components and structures.
- 5** **5-year guarantee** - Structural strength of steel and stainless steel components
- 2** **2-year guarantee** - Structural failure of high density polyethylene and plastic components

Check the warranty card for more information

Torosplay Ltd.
Bulgaria
8000, Burgas
55 "Kraina" Street
South Industrial Zone

Activities





The Robinia wood can be supplied as untreated raw wood, painted with a brown coloured transparent pigment that maintains the golden wood colour or in a coloured version where selected components are painted in different colours.



Inclined robinia ramp with 5 holding grips attached to each board

Torosplay Ltd.

Bulgaria
8000, Burgas
55 "Kraina" Street
South Industrial Zone



Monkey bars made of stainless steel tube



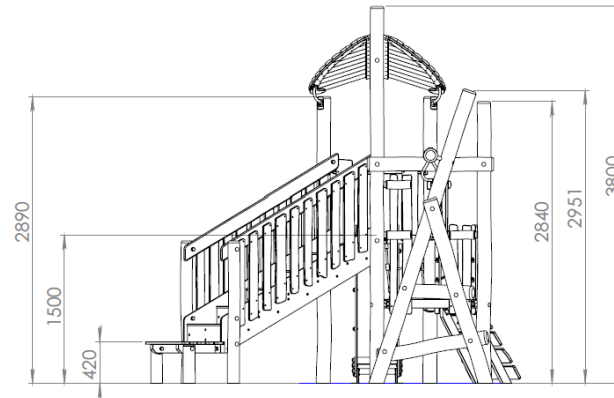
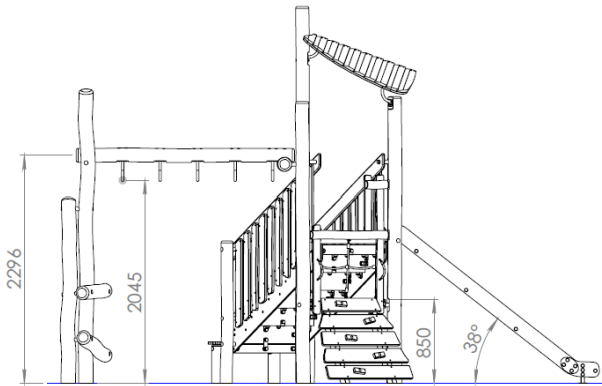
GRP slide with HDPE side panels. Suitable for places with direct sunlight.



Stainless steel slide - The high quality of the materials used and solid welding guarantees high resistance to mechanical damage - 2 mm thick sheet metal, steel pipe \varnothing 33,7 mm, durable linear welding.



Rope handles attached to a specific stainless steel hardware.

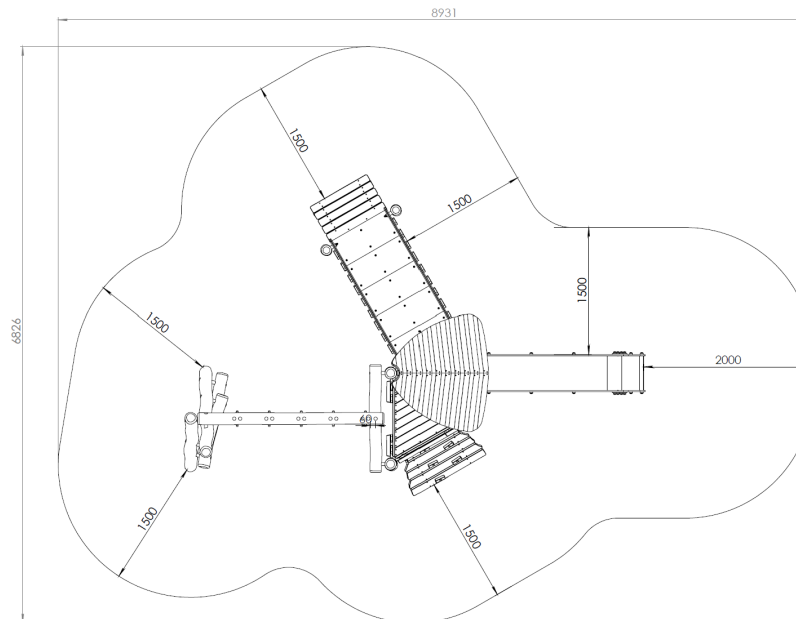


The playground equipment features a wooden structure with various play components. It includes GRP plastic slide with. With HDPE side panels which can be substituted with a stainless steel as an option. The monkey bars works as an exercise for kids ability to climb and enter into smaller spaces improving spatial awareness and muscles. The roof reminds a leaf. Rfamt103 fature stairs that are made from HDPE panels mixed with robinia wooden material.

Cargo details



On 2 pallets:
140*400*160 cm / 405 kgs.; 100*120*250 cm



Torosplay Ltd.
Bulgaria
8000, Burgas
55 "Kraina" Street
South Industrial Zone



The hardware is made of stainless steel or galvanized steel to ensure durable connections with a high corrosion resistance. This robust construction guarantees long-lasting performance even in harsh environments.



Design your own:
Wide color pallet to choose colors from
We use only certified EN71 chemical free paints



Robinia boards – 9/14 * 2,5.
Sanded, chamfered R=5mm,
Quality – A,B



Robinia poles 14 – 22 cm in diameter, best possible quality, sanded



16 and 18 mm
PP-Multifilament & split film
Or Braided nylon
Steel core – highest quality



Rope color options



Solid T and X connector ensure the Durability of the nets we produce



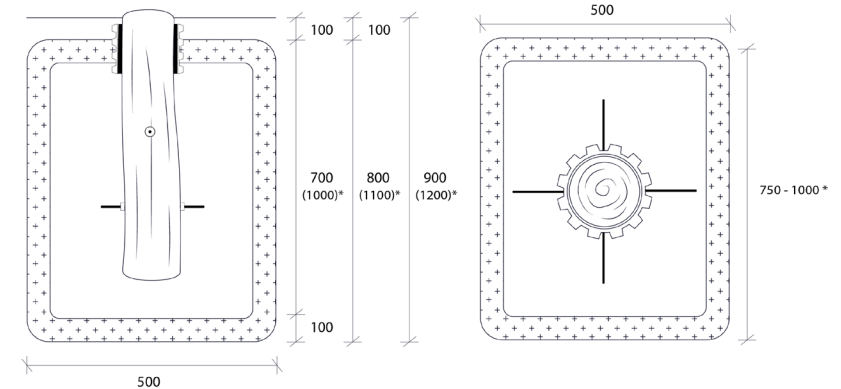
Torosplay Ltd.
Bulgaria
8000, Burgas
55 "Kraina" Street
South Industrial Zone

TOROSPLAY

Surfaces according to EN 1176-1:2017

Nº	Material	Description	min. layer thickness mm	max. fall height mm
1.	concrete			≤ 600
2.	asphalt			≤ 600
3.	topsoil			≤ 1000
4.	turf			≤ 1500
5.	bark	20 - 80 mm grain size borken bark of conifers	200	≤ 2000
			300	≤ 3000
6.	wood chips	5 - 30 mm grain size mechanically broken wood, without bark and leaf components	200	≤ 2000
			300	≤ 3000
7.	sand		200	≤ 2000
			300	≤ 3000
8.	gravel		200	≤ 2000
			300	≤ 3000
9.	other		according to producer	≤ 3000

Installation method Type A: ≈ 1,3 m³ concrete into the ground



Installation method Type B: Anchoring

