

# Peak Passage

Rfmt101



This playground equipment features a compact wooden play structure with a focus on climbing and imaginative play. The central platform is accessible via a steep, slatted wooden ramp with red handholds, designed to simulate a climbing wall. The structure is reinforced with sturdy wooden posts and connected by bright red horizontal bars for safety. At the back, a small slide provides a quick descent, adding an element of fun. The natural wood material paired with the minimalistic design gives the equipment a rustic yet functional aesthetic, ideal for smaller playground spaces.



## Torosplay Ltd.

Bulgaria  
8000, Burgas  
55 "Kraina" Street  
South Industrial Zone

Number of users:	2
Platform heights:	850
Age group:	0.5 - 4



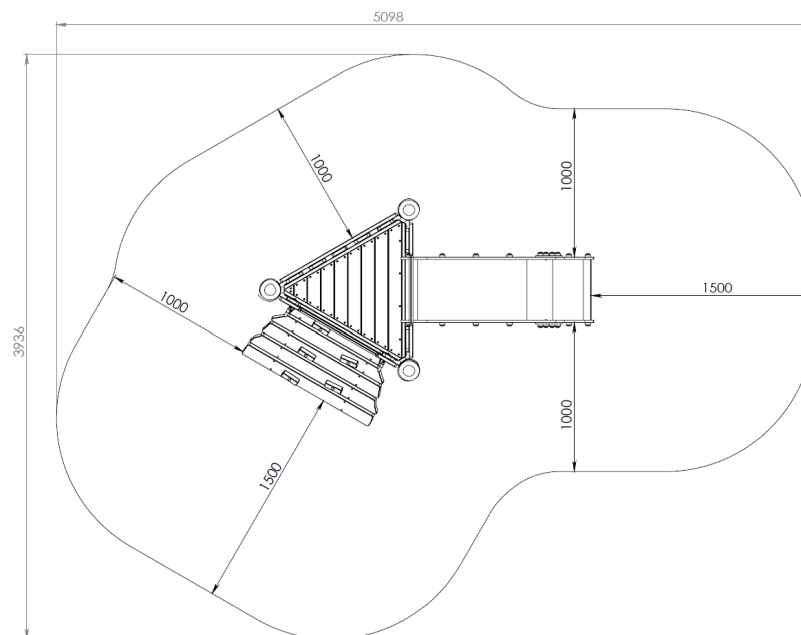
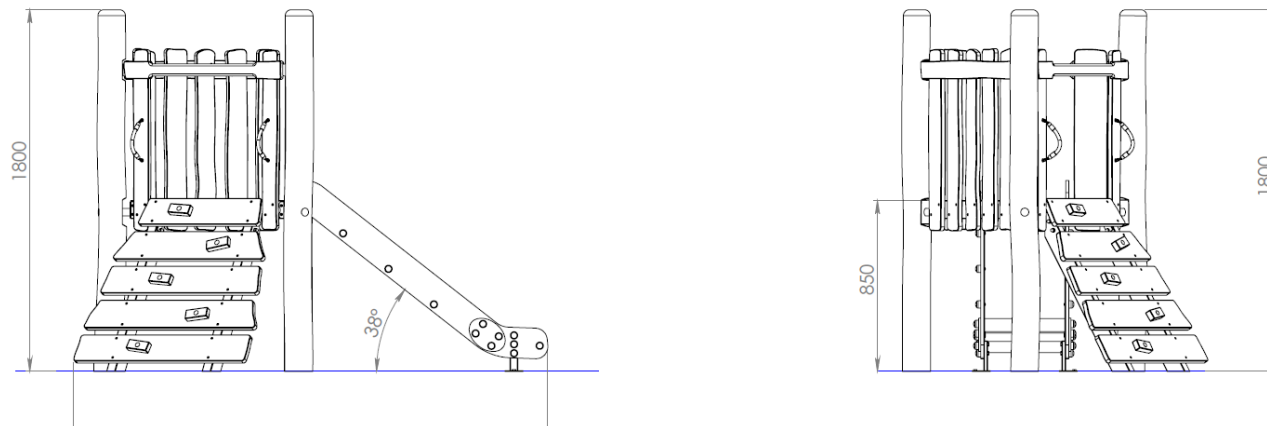
This is a small wooden ramp composed of five horizontal planks connected by red circular joints. The structure appears sturdy and spaced for easy climbing or stepping. It is designed for use in physical activities



This is a small, curved handlebar with a red grip in the middle, likely used as a support or climbing aid. The handle has attachment points at both ends, which suggests it can be mounted securely to a larger structure. It is designed to provide stability or a handhold for children or users engaging in physical activities.



This is a compact slide with a smooth, slightly curved surface in an orange tone, supported by two side panels for stability. The design features a gentle slope, allowing for a controlled, safe descent. It is suited for children to enjoy sliding activities



Length	2364
Total height	1800
Safety zone	20 m <sup>2</sup>
Free fall height	850
The height of the platforms	850
In accordance with norm EN	EN 1176:2017
Availability of spare parts	Available
Installation time	20 - 40

### Warranty



**10-year guarantee** - Coverage includes structural failure of the robinia components and structures.



**5-year guarantee** - Structural strength of steel and stainless steel components



**2-year guarantee** - Structural failure of high density polyethylene and plastic components

**Torosplay Ltd.**  
 Bulgaria  
 8000, Burgas  
 55 "Kraina" Street  
 South Industrial Zone



The hardware is made of stainless steel or galvanized steel to ensure durable connections with a high corrosion resistance. This robust construction guarantees long-lasting performance even in harsh environments.



The wood can be custom-painted in any RAL color upon request. Transparent brown pigmented and colored parts are finished with an eco-friendly, water-based paint and pigment that offer outstanding UV resistance. This coating meets the standards set by EN 71.



**TOROSPLAY**



Robinia poles 14 – 22 cm in diameter,  
best possible quality, sanded



Robinia boards – 9/14 \* 2,5.  
Sanded, chamfered R=5mm,  
Quality – A,B

**Torosplay Ltd.**

Bulgaria  
8000, Burgas  
55 "Kraina" Street  
South Industrial Zone

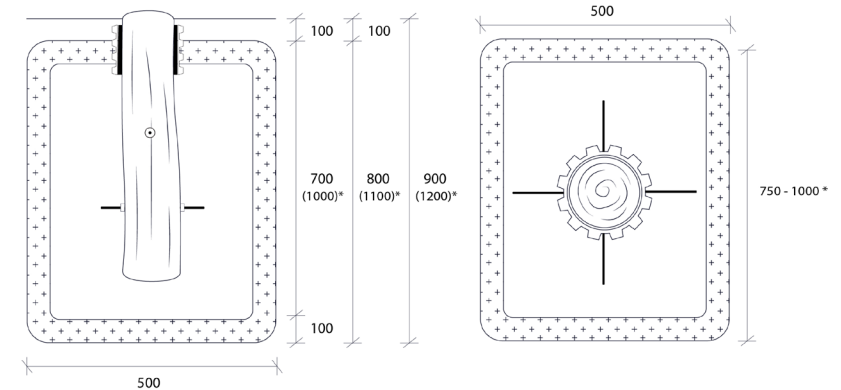
## Surfaces according to EN 1176-1:2017

	Description (mm)	Layer thickness (cm)	Maximum fall heights (cm)
Turf/ top layer of soil (A,B,C)	-	-	≤100
bark (A,C)	Particle size from 20	30	≤200
		40	≤300
woodchips (A,C)	Particle size from 5 to 30	30	≤200
		40	≤300
sand or gravel (A,C)	Particle size from 0,25 to 8	30	≤200
		40	≤300
synthetic attested (A,B,C)	Fill in Tested according to EN 1177		100

**TOROSPLAY**

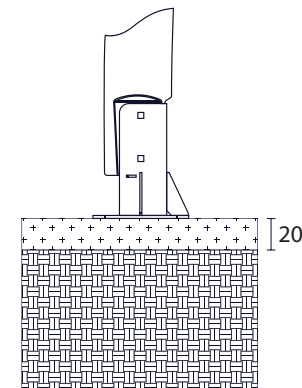
### Installation method: into the ground

A



### Installation method: Anchoring

B



**Torosplay Ltd.**  
 Bulgaria  
 8000, Burgas  
 55 "Kraina" Street  
 South Industrial Zone