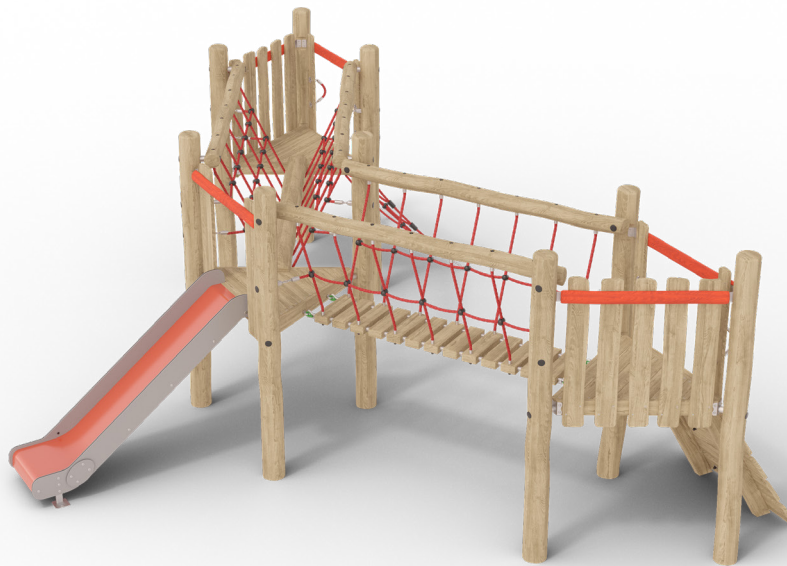


Timber Trek Tower

Rfmt 105



The playground equipment consists of a wooden structure with multiple components designed for children's play. It features a red slide, a vertical climbing wall with evenly spaced rocks, and an overhead climbing net. The equipment is supported by sturdy wooden posts and beams, ensuring safety and durability.



Torosplay Ltd.

Bulgaria
8000, Burgas
55 "Kraina" Street
South Industrial Zone

Number of users:	4 - 5 p.
Platform heights:	1000
Age group:	3 - 8 y.



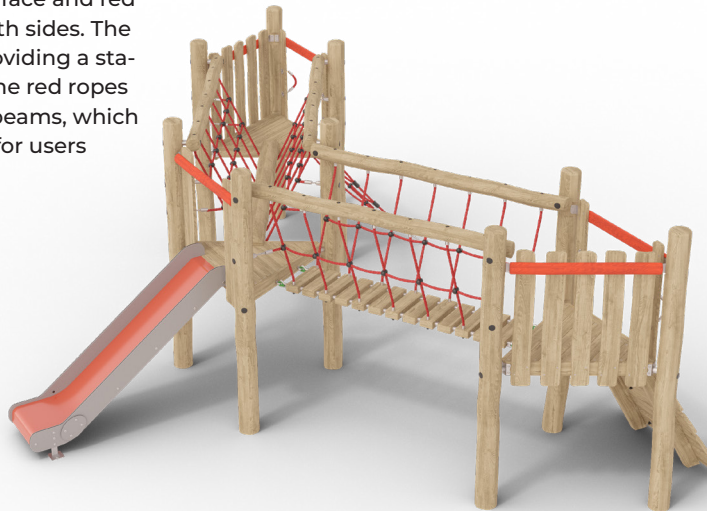
This structure is a suspended rope bridge, featuring wooden planks as the walking surface and red ropes forming a supportive net on both sides. The wooden planks are evenly spaced, providing a stable but flexible surface for crossing. The red ropes are attached to two parallel wooden beams, which offer additional stability and balance for users while walking across.



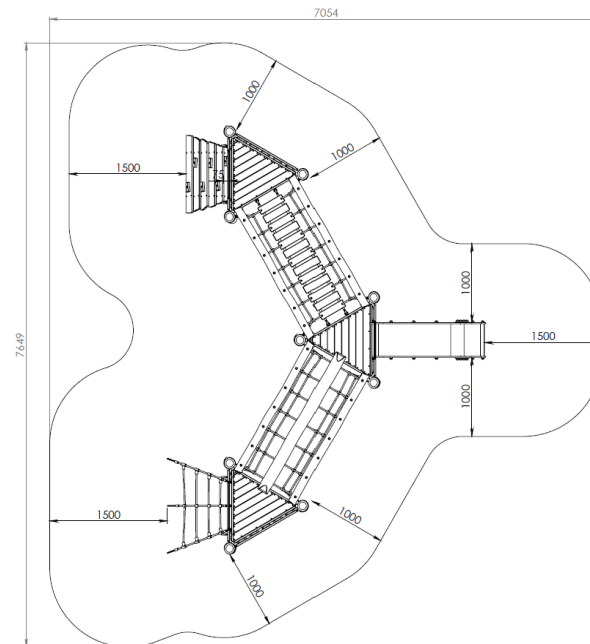
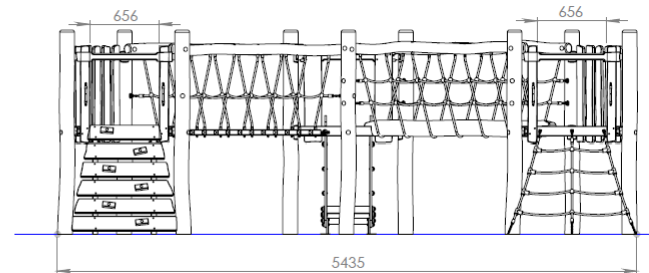
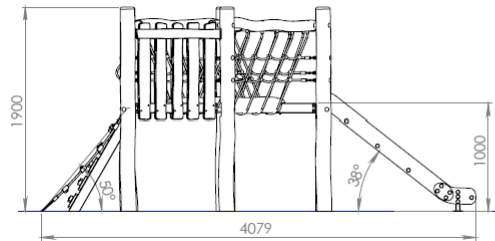
This is a small wooden ramp composed of five horizontal planks connected by red circular joints. The structure appears sturdy and spaced for easy climbing or stepping. It is designed for use in physical activities, potentially as part of a larger apparatus.



This is a compact slide with a smooth, slightly curved surface in an orange tone, supported by two side panels for stability. The design features a gentle slope, allowing for a controlled, safe descent. It is suited for children to enjoy sliding activities and could be part of a playground set.



A vertical climbing net made of red ropes, supported by a wooden beam at the top.



Length	5435
Total height	1900
Safety zone	56 m ²
Free fall height	1000
The height of the platforms	1000
In accordance with norm EN	EN 1176:2017
Availability of spare parts	Available
Installation time	20 - 30 Minutes

Warranty

- 10
10-year guarantee - Coverage includes structural failure of the robinia components and structures.
- 5
5-year guarantee - Structural strength of steel and stainless steel components
- 2
2-year guarantee - Structural failure of high density polyethylene and plastic components



The hardware is made of stainless steel or galvanized steel to ensure durable connections with a high corrosion resistance. This robust construction guarantees long-lasting performance even in harsh environments.



The wood can be custom-painted in any RAL color upon request. Transparent brown pigmented and colored parts are finished with an eco-friendly, water-based paint and pigment that offer outstanding UV resistance. This coating meets the standards set by EN 71.



TOROSPLAY



Robinia poles 14 – 22 cm in diameter,
best possible quality, sanded



Robinia boards – 9/14 * 2,5.
Sanded, chamfered R=5mm,
Quality – A,B

Torosplay Ltd.

Bulgaria
8000, Burgas
55 "Kraina" Street
South Industrial Zone

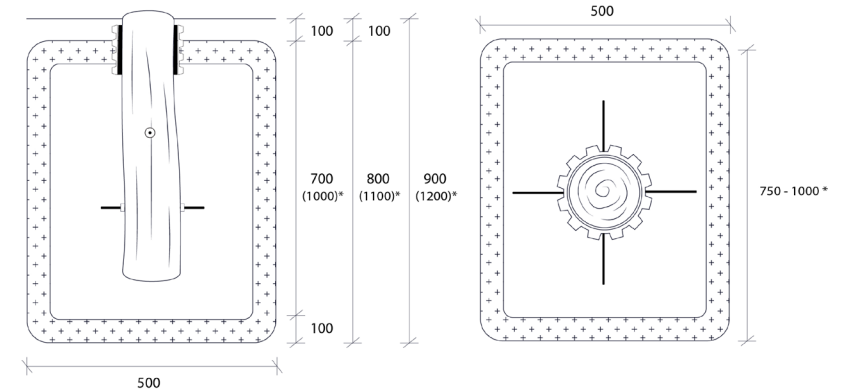
Surfaces according to EN 1176-1:2017

	Description (mm)	Layer thickness (cm)	Maximum fall heights (cm)
Turf/ top layer of soil (A,B,C)	-	-	≤100
bark (A,C)	Particle size from 20	30	≤200
		40	≤300
woodchips (A,C)	Particle size from 5 to 30	30	≤200
		40	≤300
sand or gravel (A,C)	Particle size from 0,25 to 8	30	≤200
		40	≤300
synthetic attested (A,B,C)	Fill in Tested according to EN 1177		100

TOROSPLAY

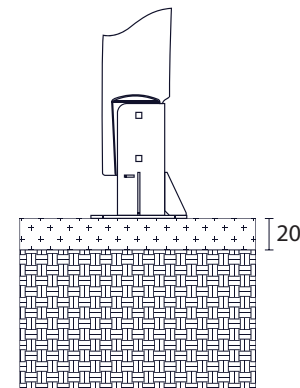
Installation method: into the ground

A



Installation method: Anchoring

B



Torosplay Ltd.

Bulgaria
8000, Burgas
55 "Kraina" Street
South Industrial Zone